

CALLA MOBILE

CALLA MOBILE

MODEL NO: 10050XXX

Hand blown, sculpted glass crystal pieces balanced from a solid brass mobile

AS SHOWN (IN PHOTO)

9 glass pieces - approx. dimensions 120"W x 84"D
Glass - clear with iridescence
Metal - oxidized brass
Cordage - black

DIMENSIONS

Available in four sizes:

3 glass pieces - approx. dimensions 60"W x 36"D
5 glass pieces - approx. dimensions 84"W x 48"D
7 glass pieces - approx. dimensions 108"W x 60"D
9 glass pieces - approx. dimensions 120"W x 84"D

Glass - 12"W x 9"D x 3"H

ELECTRICAL

6W incandescent bulb per socket included

AVAILABLE FINISHES

Glass Crystal Color - clear, olivine*, opaline*, sepia*, smoke*, topaz*, gold leaf*

Glass Crystal Finish - standard, soft etched, with iridescence

Metal - brushed brass, oil rubbed blackened steel*, light oil rubbed blackened steel*, brushed silver*, oxidized brass*

Cordage - black, gold, silver

*premium finish - refer to price guide for additional charges

ADDITIONAL NOTES

General lead time for standard finishes is 10-12 weeks. Updated lead times provided at time of formal quoting. This fixture has minimum OAD requirements - please refer to price list for additional information

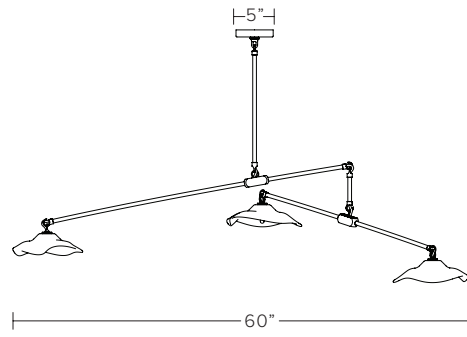
As per design intent, fixture may balance at angles different from what is shown and arms will reposition slightly if contact is made.

All dimensions listed are approximate and should be considered +/- 6".

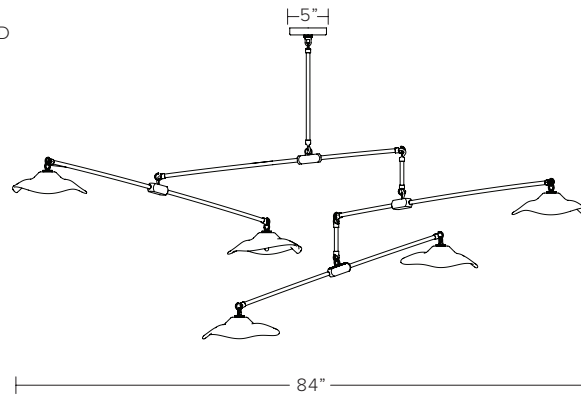
UL listed



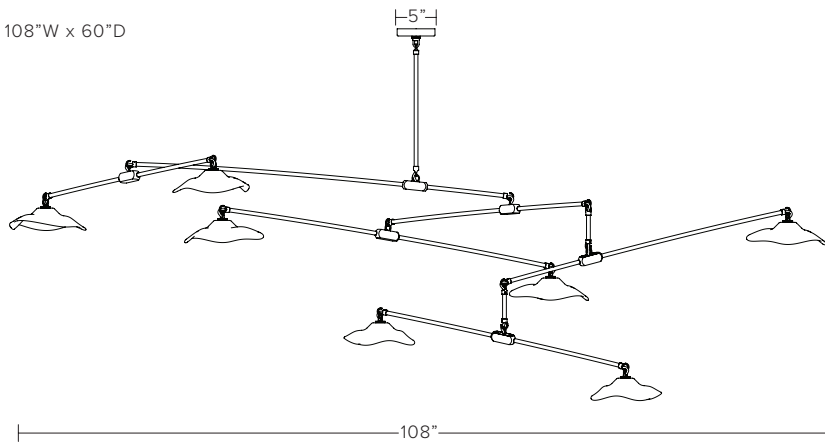
3 PIECE, 60"W x 36"D



5 PIECE, 84"W x 48"D



7 PIECE, 108"W x 60"D



9 PIECE, 120"W x 84"D

